

## IMPORTANT SAFETY RULES

Please read, understand, and follow all instructions carefully before installing and using this product. Keep for future reference.

# C2500

Krystal Clear™ Filter Pump  
Certified Model Number 634RC  
220 - 240 V~, 50 Hz, 360 W  
Hmax 5.0 m, Hmin 0.19 m, IPX4  
Max. Water Temperature 35 °C



For illustrative purposes only.

Don't forget to try these other fine Intex products: pools, pool accessories, inflatable pools and in-home toys, airbeds and boats available at fine retailers or visit our website.

Due to a policy of continuous product improvement, Intex reserves the right to change specifications and appearance, which may result in updates to the instruction manual without notice.

OWNER'S MANUAL

# INTEX®

©2023 Intex Marketing Ltd. - Intex Development Co. Ltd. - Intex Recreation Corp.  
All rights reserved/Tous droits réservés/Todos los derechos reservados/Alle Rechte vorbehalten. Printed in China/Imprimé en Chine/Impreso en China/Gedruckt in China.

®™ Trademarks used in some countries of the world under license from/®™ Marques utilisées dans certains pays sous licence de/Marcas registradas utilizadas en algunos países del mundo bajo licencia de/Warenzeichen verwendet in einigen Ländern der Welt in Lizenz von/Intex Marketing Ltd. to/à/a/an Intex Development Co. Ltd., Hong Kong & Intex Recreation Corp., P.O. Box 1440, Long Beach, CA 90801 • Distributed in the European Union by/Distribué dans l'Union Européenne par/Distribuido en la unión Europea por/Vertrieb in der Europäischen Union durch/Intex Trading B.V., Ettenseweg 46, 4706 PB Roosendaal – The Netherlands • Distributed in the UK by Unitex Service (UK) Limited, 21 Holborn Viaduct, London EC1A 2DY, UK.  
[www.intexcorp.com](http://www.intexcorp.com)

## TABLE OF CONTENTS

<b>Warnings.....</b>	<b>3</b>
<b>Parts List &amp; Reference.....</b>	<b>4-5</b>
<b>Setup Instructions.....</b>	<b>6-9</b>
<b>Operating Instructions.....</b>	<b>10</b>
<b>Operating Time Table.....</b>	<b>11</b>
<b>Maintenance.....</b>	<b>12-13</b>
<b>Pool Care and Chemicals.....</b>	<b>13</b>
<b>Long Term Storage.....</b>	<b>13</b>
<b>Troubleshooting Guide.....</b>	<b>14-15</b>
<b>Common Pool Problems.....</b>	<b>16</b>
<b>General Aquatic Safety.....</b>	<b>16</b>
<b>Limited Warranty.....</b>	<b>17</b>

# IMPORTANT SAFETY RULES

Read, Understand and Follow All Instructions Carefully Before Installing and Using this Product.

## READ AND FOLLOW ALL INSTRUCTIONS

### WARNING

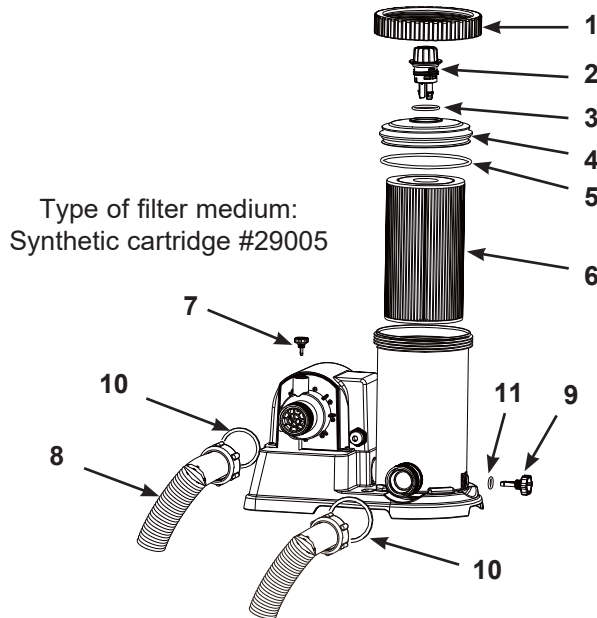
- Always supervise children and those with disabilities.
- Children must stay away from this product and electrical cord(s).
- Children shall not play with the appliance. Cleaning and user maintenance shall not be made by children without supervision.
- This appliance can be used by children aged from 8 years and above and persons with reduced physical, sensory or mental capabilities or lack of experience and knowledge if they have been given supervision or instruction concerning use of the appliance in a safe way and understand the hazards involved.
- Assembly and disassembly by adults only. Cleaning and user maintenance must be performed by an adult above 18 years old who is familiar with the risk of electric shock.
- Risk of electric shock. Connect this product only to a grounding type receptacle protected by a ground-fault circuit interrupter (GFCI) or residual current device (RCD). Contact a qualified electrician if you cannot verify that the receptacle is protected by a GFCI/RCD. Use a qualified electrician to install the GFCI/RCD, which has a maximum rate of 30mA.
- Always unplug this product from the electrical outlet before removing, cleaning, servicing or making any adjustment to the product.
- Always unplug the appliance on raining days or if leave it for long time (such as going out for holidays).
- The plug must be accessible after product is installed.
- Do not bury the electrical cord. Locate the cord where it will not be damaged by lawn mowers, hedge trimmers and other equipment.
- If the supply cord is damaged, it must be replaced by the manufacturer, its service agent or similarly qualified persons in order to avoid a hazard.
- To reduce the risk of electric shock, do not use extension cords, timers, plug adaptors or converter plugs to connect unit to electric supply; provide a properly located outlet.
- Do not attempt to plug in or unplug this product while standing in water or when your hands are wet.
- Keep this product more than 3.5m away from the pool.
- Keep the plug of this product more than 4 m away from the pool and at a height of 1.2 m at least.
- Position this product away from the pool, so as to prevent children from climbing on it and accessing the pool.
- Do not operate this product when pool is occupied.
- This product is for use with storable pools only. Do not use with permanently installed pools. A storable pool is constructed so that it may be readily disassembled for storage and reassembled to its original configuration.
- The appliance is intended only for household use.
- This product is intended to be used only for the purposes described in the manual!

**FAILURE TO FOLLOW THESE WARNINGS MAY RESULT IN PROPERTY DAMAGE, ELECTRIC SHOCK, ENTANGLEMENT OR OTHER SERIOUS INJURY OR DEATH.**

These product warnings, instructions and safety rules provided with the product represent some common risks of water recreation devices and do not cover all instances of risk and danger. Please use common sense and good judgement when enjoying any water activity.

# PARTS REFERENCE

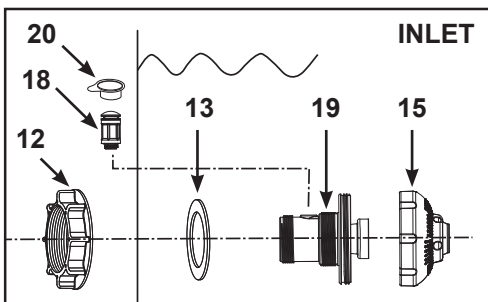
Before assembling your product, please take a few minutes to check the contents and become familiar with all the parts.



**NOTE:** Drawings for illustration purpose only. Actual product may vary. Not to scale.

REF. NO.	DESCRIPTION	QTY.	SPARE PART NO.
1	THREADED FILTER HOUSING COLLAR	1	10491
2	FILTER GAUGE+AIR RELEASE VALVE	1	13228
3	VALVE O-RING	1	13229
4	FILTER HOUSING COVER	1	13230
5	FILTER HOUSING O-RING	1	10492
6	FILTER CARTRIDGE	1	29005
7	AIR RELEASE VALVE B (WITH O-RING)	1	10725
8	PUMP HOSE WITH NUTS	2	11010
9	SEDIMENT RELEASE VALVE	1	10460
10	HOSE O-RING	2	13161
11	VALVE O-RING	1	10264

When ordering parts, be sure to quote the model number and part numbers.

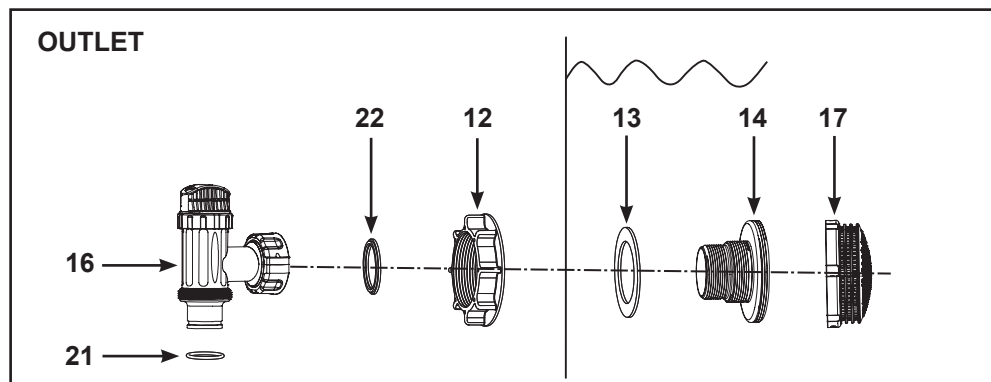
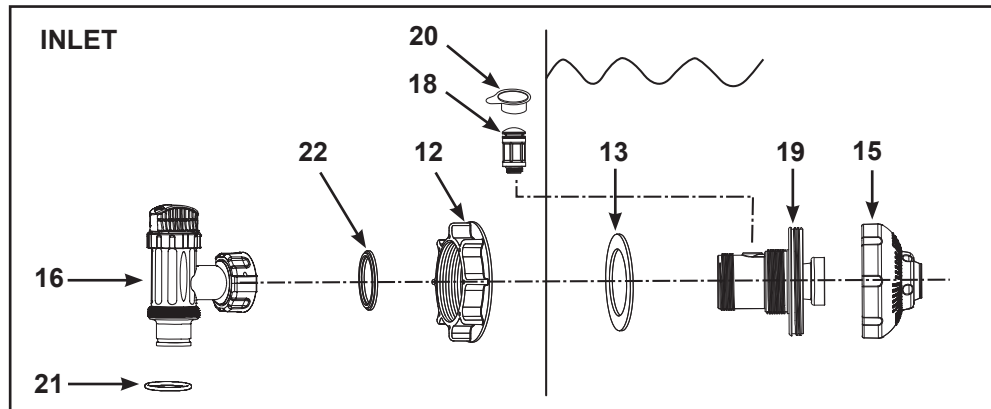


If the pump was purchased individually, only these inlet fitting parts are included. No tools are required for the assembly.

## PARTS REFERENCE (continued)

Before assembling your product, please take a few minutes to check the contents and become familiar with all the parts.

If the pump was purchased as part of a pool set, below fitting parts are included. Contact our Authorized Service Centers to order these parts if needed. When ordering parts, be sure to quote the model number and part numbers.



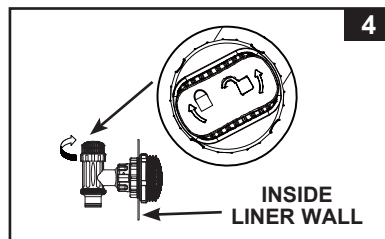
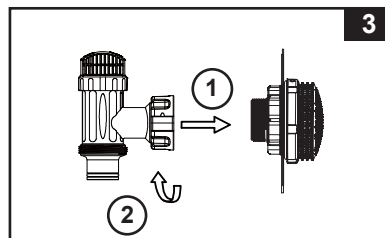
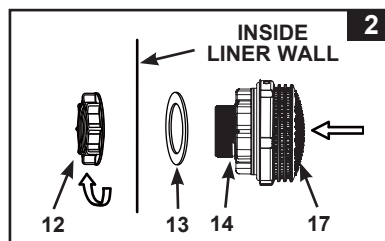
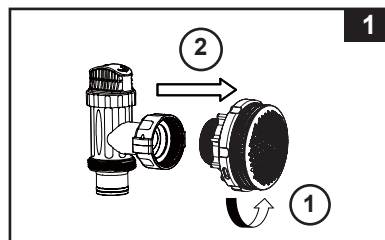
**NOTE:** Drawings for illustration purpose only. Actual product may vary. Not to scale.

REF. NO.	DESCRIPTION	QTY.		SPARE PART NO.
		Individually	Pool Set	
12	STRAINER NUT	1	2	10256
13	FLAT STRAINER RUBBER WASHER	1	2	10255
14	THREADED STRAINER CONNECTOR	0	1	10744
15	ADJUSTABLE POOL INLET JET NOZZLE	1	1	12369
16	PLUNGER VALVE (HOSE O-RING & STEP WASHER INCLUDED)	0	2	10747
17	STRAINER GRID	0	1	12198
18	AIR JET VALVE	1	1	12363
19	INLET THREADED AIR CONNECTOR	1	1	12371
20	AIR JET VALVE CAP	1	1	12373
21	HOSE O-RING	0	2	10262
22	STEP WASHER	0	2	10745

## POOL OUTLET - STRAINER & PLUNGER VALVE SETUP (OPTIONAL)

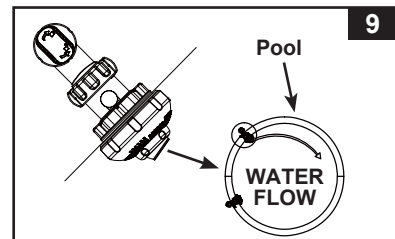
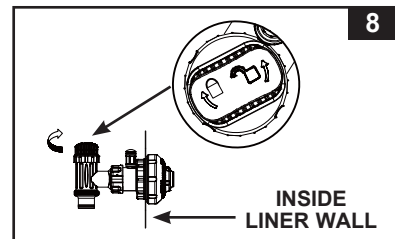
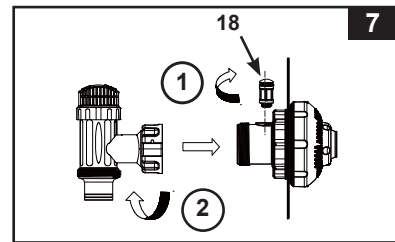
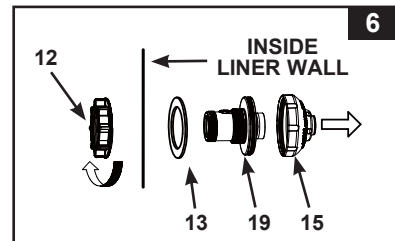
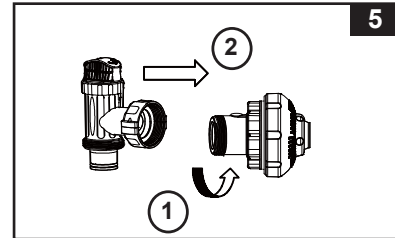
The strainer grid prevents large objects from jamming and/or damaging the filter pump. The plunger valve assembly prevents water from flowing into the filter pump while the filter cartridge is being placed or cleaned. If your pool has inflatable top ring, install the strainer, nozzle and plunger valve before inflating the pool liner top ring. The parts numbers here onward, refer to the parts depicted in the Parts List section of this manual. To install, do the following:

- In a counter-clockwise motion unscrew plunger valve union from the threaded strainer connector (14) (see drawing 1). Be careful not to lose the step rubber washer (22). Place the plunger valve on the ground in a safe place.
- In a counter-clockwise motion unscrew the strainer nut (12) from the threaded connector (14). Leave the flat washer (13) on the connector (14).
- Install the strainer and plunger valve at the lower position of pool outlet (marked "+"). From the inside of the pool liner insert the connector (14) into one of the pre-cut holes with the washer remaining on the connector to be placed against the inside of the liner wall.
- Before assembly, lubricate the threads with a petroleum jelly. Then, with the flat side of the strainer nut (12) facing the outside wall of the liner in a clockwise motion screw the strainer nut (12) back onto the threaded connector (14) (see drawing 2).
- Finger tighten the strainer nut (12) onto the threaded connector (14).
- Grasp the plunger valve assembly. Make sure the step washer (22) is in place.
- In a clockwise motion screw the plunger valve union back onto the threaded connector (14) (see drawing 3).
- In a clockwise motion turn the plunger valve handle to close position. Ensure the plunger valve is securely closed. This will prevent water from flowing out during filling of the pool (see drawing 4).



## POOL INLET - NOZZLE & PLUNGER VALVE SETUP (OPTIONAL)

1. In a counter-clockwise motion unscrew plunger valve union from the inlet threaded air connector (19) (see **drawing 5**). Be careful not to lose the step rubber washer (22). Place the plunger valve on the ground in a safe place.
2. In a counter-clockwise motion unscrew the strainer nut (12) from the inlet threaded air connector (19). Leave the flat washer (13) on the connector (19).
3. Install the nozzle and plunger valve at the upper position of the pool inlet. From the inside of the pool liner insert the nozzle union (15 & 19) into one of the pre-cut holes with the washer remaining on the connector to be placed against the inside of the liner wall.
4. Before assembly, lubricate the threads with a petroleum jelly. Then, with the flat side of the strainer nut (12) facing the outside wall of the liner in a clockwise motion screw the strainer nut (12) back onto the inlet threaded air connector (19) (see **drawing 6**).
5. Finger tighten the adjustable pool inlet jet nozzle (15) and the strainer nut (12) onto the inlet threaded air connector (19).
6. Grasp the plunger valve assembly. Make sure the step washer (22) is in place.
7. Screw the air jet valve (18) over the inlet threaded air connector (19). **NOTE:** Make sure the air jet valve is securely tighten and facing up. In a clockwise motion screw the plunger valve union back onto the inlet threaded air connector (19) (see **drawing 7**).
8. In a clockwise motion turn the plunger valve handle to close position. Ensure the plunger valve is securely closed. This will prevent water from flowing out during filling of the pool (see **drawing 8**).
9. Adjust the direction of the nozzle head pointing away from the pool outlet for a better circulation result (see **drawing 9**).
10. The pool liner is now ready to be filled with water. Consult the above-ground-pool owner's manual for the filling instructions.



**NOTE:** Do not cover the air jet valve (18) with the valve cap (20) under normal situation or when the pump is operating. See Troubleshooting Guide section for more details.

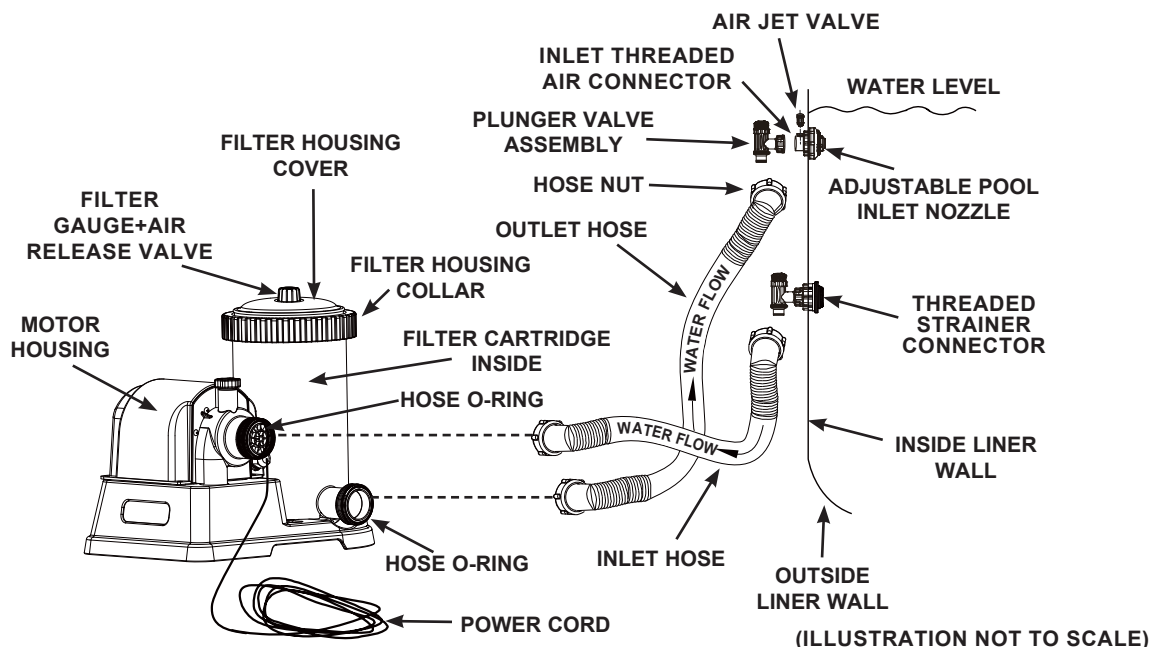
## FILTER PUMP HOSE CONNECTION SETUP

1. Remove the Krystal Clear™ filter pump and hoses from the packaging.
2. Place the filter pump in such a manner, that you can easily assemble the hose (8) connections to the plunger valve. Ensure the filter pump is accessible at all time for service and maintenance.  
**Note:** Some regional regulations may require the filter pump to be mounted on a stationary platform. There are two mounting holes located in the pump base for this reason. Consult your local authorities for filter pump mounting requirements.
3. Grasp the two pump hoses (8) and connect the hose nuts to the filter pump.
4. In a counter-clockwise motion unscrew the threaded filter housing collar (1) from the filter housing. Place it in a safe place.
5. The Filter Pump is an airtight system. In a counter-clockwise motion turn both air release valves (2 & 7) 1 - 2 turns to open. **DO NOT remove air release valves as water will expel with force if the motor is turned on and injury may occur.**
6. Grasp and remove the filter housing cover (4). Check to see if a cartridge is inside the housing. If yes, replace the cover, finger tighten the housing collar (1) back onto the filter housing.
7. Gently finger tighten the sediment release valve located at the bottom of the housing to be sure that water does not leak out.
8. When the pool is filled connect the hose from the bottom of the filter housing to the highest strainer assembly. You will find the hose connection at the bottom of the plunger valve assembly. Use the hose nut to attach the hose.
9. Connect the second hose which is fixed to the middle of the motor housing to the remaining liner connection.

It is essential to change any damaged element or set of elements as soon as possible. Use only parts approved by the manufacturer.

### ⚠ WARNING

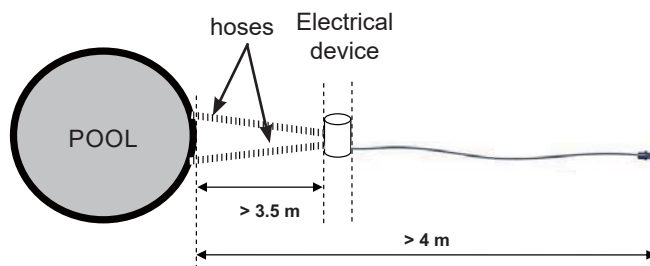
Position this product away from the pool, so as to prevent children from climbing on it and accessing the pool.



The installation instruction shall provide information on requirements specified for the electrical installation and shall include reference to national wiring rules.



## FILTER PUMP INSTALLATION DISTANCE



(Generic layout of an electrical device relative to a swimming pool. Illustration not to scale)

According to the International Standard, IEC 60364-7-702, on electrical installation of swimming pools and other basins equipment, the following installation distances must be respected:

- The filter pump must be positioned more than 3.5 m away from the pool walls.
- The power cord plug to the 220-240 volt electrical power source of the filter pump must be positioned more than 4 m away from the pool walls.

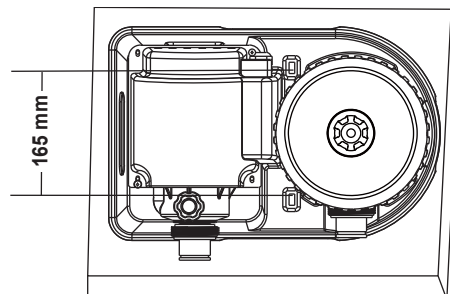
Check your local authorities to determine the appropriate standard and requirements for "electrical installation of swimming pools and basins equipment". The following table is for reference only:

Country/Region	Standard Number
International	IEC 60364-7-702
France	NF C 15-100-7-702
Germany	DIN VDE 0100-702
The Netherlands	NEN 1010-702

## FILTER PUMP STATIONARY MOUNTING

Some countries, especially in the European community, require the filter pump to be secured to the ground or to a base in a permanent upright position. Check your local authorities to determine if there is a regulation in your area regarding above-the-ground swimming pool filter pumps. If yes, then the filter pump can be mounted to a platform using the two holes located in the base. See drawing below.

The filter pump can be mounted on a cement base or onto a wooden platform to prevent accidental falling over. Total assembly must exceed 18kg.

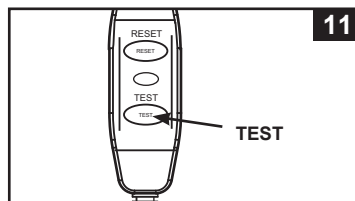
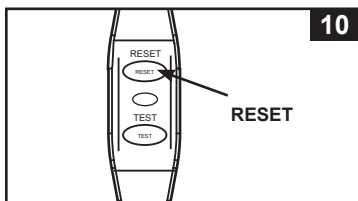


1. The mounting holes are 6.4 mm in diameter and spaced 165 mm apart.
2. Use two bolts and lock nuts with a maximum of 6.4 mm in diameter.

## OPERATING INSTRUCTIONS

### RCD OPERATING INSTRUCTIONS

- Plug RCD into power outlet. Press RESET button on the RCD plug. Indicator should be "ON". See FIG. 10.
- Press TEST button on the RCD plug. Indicator should be "OFF". See FIG. 11.
- Press RESET button for use. Do not use if test fails. Contact a qualified electrician to determine cause of failure.



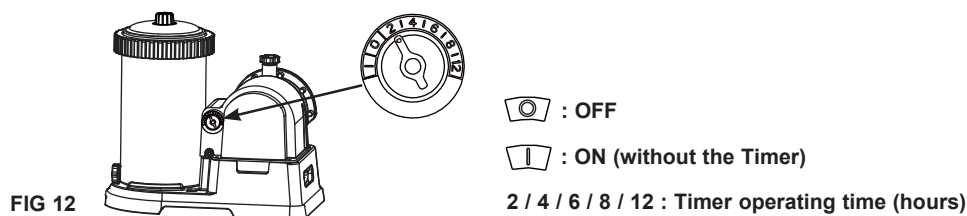
### ⚠ WARNING

Risk of electric shock. Connect this product only to a grounding type receptacle protected by a ground-fault circuit interrupter (GFCI) or residual current device (RCD). Contact a qualified electrician if you cannot verify that the receptacle is protected by a GFCI/RCD. Use a qualified electrician to install the GFCI/RCD, which has a maximum rate of 30mA. Do not use a portable residual current device (PRCD).

### IMPORTANT

To prevent air lock, open the lower plunger valve (connected inlet hose) first and then the upper plunger valve (connected outlet hose). Open the air release valves, wait until water starts to flow out of the air release valves, close air release valves.

1. Make sure the filter pump is switched off. The switch is located on the motor housing.
  2. Connect the power cord to a GFCI protected electrical outlet.
  3. Turn both plunger valve handles fully counter-clockwise until they stop. This opens the valve, allowing water to flow into the filter pump.
  4. With water flowing into filter pump, the water pressure will allow the air trapped inside to escape from the air release valves (2 & 7). When all the air has escaped water will flow out of the valves (2 & 7). When this occurs gently finger tighten the valves (2 & 7) in a clockwise direction.
  5. To operate the filter pump on "TIMER" mode:
    - A. Plug the power cord into the electrical outlet and set the timer dial to the desired operating hours (see Fig. 12). See the "Operating Time Table" for the required operating hours related to each pool size.
    - B. The filter pump is now filtering the water and will stop after the operating hours are completed. The built-in timer will now operate for the number of hours selected at the same time each day.
    - C. Operating hours can be re-adjusted if necessary. Follow step A – B.
- To operate the filter pump manually (without the "TIMER" mode):**
- A. Turn on the pump by setting the dial to "☐" position, the filter pump is now filtering the water.
  - B. To turn off the pump, set the dial to "⊙" position.



6. Never put pool chemicals directly into the filter pump. This may damage the pump and void the warranty.

## OPERATING TIME TABLE

This table shows the required operating time for average use of the filter pump with AGP's. The filter pump running time should be 1 hour longer than the required operating time of the Saltwater System.

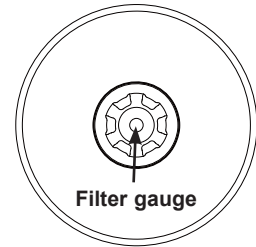
Pool Size		Water Capacity (Calculated at 90% for Frame Pool and 80% for Easy Set & Oval Pool)		Recommend operating hours per day (Hours)
		(Gals)	(Liters)	
<b>INTEX ABOVE GROUND POOLS (AGP's)</b>				
<b>EASY SET® POOL</b>	18' x 42" (549cm x 107cm)	4,786	18,115	4
	18' x 48" (549cm x 122cm)	5,455	20,647	4
<b>CIRCULAR METAL FRAME POOL</b>	18' x 48" (549cm x 122cm)	6,423	24,311	4
	24' x 52" (732cm x 132cm)	12,481	47,241	6
<b>ULTRA/XTR FRAME POOL</b>	16' x 48" (488cm x 122cm)	5,061	19,156	4
	18' x 48" (549cm x 122cm)	6,423	24,311	4
	18' x 52" (549cm x 132cm)	6,981	26,423	4
	20' x 48" (610cm x 122cm)	7,947	30,079	4
	22' x 52" (671cm x 132cm)	10,472	39,637	6
	24'x52" (732cm x 132cm)	12,481	47,241	6
	26' x 52" (792cm x 132cm)	14,667	55,515	8
<b>GRAPHITE GRAY PANEL POOL SET™</b>	15'8" x 49" (478cm x 124cm)	4,440	16,805	4
	16'8" x 49" (508cm x 124cm)	5,061	19,156	4
	18'8" x 53" (569cm x 135cm)	6,981	26,423	4
<b>OVAL FRAME POOL</b>	20' x 12' x 48" (610cm x 366cm x 122cm)	4,393	16,628	4
<b>RECT. ULTRA FRAME POOL</b>	15' x 9' x 48" (457cm x 274cm x 122cm)	3,484	13,187	2
	18' x 9' x 52" (549cm x 274cm x 132cm)	4,545	17,203	4
	20' x 10' x 52" (610cm x 305cm x 132cm)	5,611	21,238	4
	24' x 12' x 52" (732cm x 366cm x 132cm)	8,403	31,805	4
	32' x 16' x 52" (975cm x 488cm x 132cm)	14,364	54,368	8

## CLEANING OR REPLACING FILTER CARTRIDGE

**It is recommended that the filter cartridge be replaced at least every 2 weeks or as needed. Regularly monitor the filter clogging level.**

The filter pump is equipped with a filter gauge, which indicates when to clean or replace the filter cartridge:

- Green zone: the filter cartridge is clean, no need to clean or replace.
- Yellow zone: the filter cartridge is dirty; it needs to be cleaned.
- Red zone: the filter cartridge is excessively dirty; it shall be cleaned or replaced.



**NOTE:** To ensure a correct filter gauge reading, remove any accessories (skimmer, lights, sprayer, auto cleaner, etc) from the filtration system inlet and outlet line. See "Troubleshooting Guide" section for details.

When the pump is not running (stand by mode) or OFF, the filter gauge indicator is in the green zone. You must activate the filter pump to see the last filter gauge indicator status.

The following steps provide instructions on how to clean or replace the filter cartridge.

1. Make sure the filter pump is turned off, then disconnect the power cord from the electrical outlet.
2. Turn both plunger valve handles fully clockwise until they stop. This closes the valve, prevents the water from flowing out of the pool.
3. Gently turn the top air release valve once or twice in a counter-clockwise direction. The housing cover can now be easily removed.
4. In a counter-clockwise direction remove the filter housing collar **(1)**. Place it in a safe location.
5. Remove the housing cover **(4)**.
6. Remove the used filter cartridge and use a strong pressure garden hose to rinse it clean. Replace with a new filter cartridge when it is discolored, deformed, has small holes and tears or as needed.
7. Examine the inside of the filter housing.
8. If dirt or sediment is located on the bottom of the housing then:
  - A. In a counter-clockwise motion gently unscrew and remove the sediment valve **(9)** located at the bottom of the housing. Place it in a safe place.
  - B. With a bucket of water or a garden hose pour water into the housing flushing out the sediment.
  - C. Screw back the sediment valve **(9)** in a gentle clockwise motion. Do not over-tighten.
9. Place a clean or new cartridge filter in the housing. Only use the original Intex cartridge for replacement. See "Parts Reference" section for detail.
10. Return the housing cover **(4)** to its position and in a clockwise direction rescrew the housing collar **(1)** onto the filter housing.
11. Turn both plunger valve handles fully counter-clockwise until they stop. This opens the valve, allowing water to flow into the filter pump.
12. When the trapped air has escaped through the air release valves gently retighten the valves **(2 & 7)** in a clockwise direction.
13. Reconnect the power cord.
14. Turn on the pump.
15. Check the inlet and outlet openings regularly to ensure they are not obstructed thus preventing a good filtration.
16. The disposal of any used filter media should be in accordance with applicable local regulation and legislation.

## POOL CARE AND CHEMICALS

- All pools require care to keep the water clear and hygienically clean. With proper chemical control, your filter will help attain this objective. Consult your pool supply dealer for instructions regarding the proper use of chlorine, algaecide and other chemical agents required for sparkling clear water.
- Keep pool chemicals away from children.
- Do not replenish chemicals in pool while pool is occupied. Skin or eye irritations could occur.
- Daily pH checking and chemical treatment of the water is very important and can not be overemphasized. Chlorine, algaecide and maintenance of proper pH levels are required when filling the pool as well as during the season. Consult your local swimming pool supply store for instructions.
- The season's first filling of the pool may have brackish water requiring extra water additives and extra filter changes. Do not allow swimming in pool until the pH level is balanced. Consult your local swimming pool supply store for instructions.
- Keep spare filter cartridges on hand. Replace cartridges every two weeks.
- Chlorinated water may damage lawns, gardens or shrubbery as children play in the pool and splash water outside the pool. Lawn areas underneath the pool liner will be destroyed. Note that some types of grass may grow through the liner.
- Filter run time depends on pool size, weather and usage level. Experiment with various run times so as to produce clean clear water.
- European standard EN16713-3 lists some additional pool water quality and water treatment information that can be found at [www.intexcorp.com/support](http://www.intexcorp.com/support).

### CAUTION

**Concentrated chlorine solutions may damage the pool liner. Always follow the chemical manufacturer's directions, and the health and hazard warnings.**

## LONG TERM STORAGE & WINTERIZATION

1. Before emptying your pool for long term storage, or relocation, be sure the water is directed towards an acceptable drain water receptacle away from the house. Check local regulations for specific directions regarding disposal of swimming pool water.
2. Disconnect power cord from electrical outlet.
3. Now, drain the pool.
4. When the pool is empty, disconnect all hoses from pump and plunger valves and remove the strainers from the pool wall.
5. Drain all water from the filter pump.
6. Leave filter pump pieces & hoses outside to thoroughly air dry.
7. Remove both plunger valves from the connectors (**14 & 19**). Be careful not to lose the step rubber washer (**22**).
8. Coat the following O-rings and washers with petroleum jelly for long term storage:
  - Air release valve & sediment O-rings (**3 & 11**).
  - Filter housing cover O-ring (**5**).
  - Pump hose O-rings (**21**).
  - Strainer valve assembly step washers (**22**).
  - Flat strainer rubber washers (**13**).
9. Discard the used filter cartridge. Put aside 1 or 2 new cartridges for next season's use.
10. It is best to place all dry pieces in the original packaging for storage or place them in an airtight plastic bag.
11. Store the unit and accessories in a dry place. The storage's temperature should be controlled, between 32 degrees Fahrenheit (0 degrees Celsius) and 104 degrees Fahrenheit (40 degrees Celsius) storage location.

## TROUBLESHOOTING GUIDE

TROUBLE	CAUSE	SOLUTION
FILTER MOTOR FAILS TO START	<ul style="list-style-type: none"> <li>The motor is not plugged in.</li> <li>The GFCI/RCD circuit breaker is tripped.</li> <li>Motor too hot and overload protection is shut off.</li> </ul>	<ul style="list-style-type: none"> <li>Filter cord must be plugged into a 3 wire outlet that is protected by a Class A Ground Fault Circuit Interrupter, or RCD.</li> <li>Reset circuit breaker. If circuit breaker trips repeatedly, your electrical system may have a defect. Turn off circuit breaker and call an electrician to correct the problem.</li> <li>Let motor cool down.</li> </ul>
FILTER DOESN'T CLEAN POOL	<ul style="list-style-type: none"> <li>Improper chlorine or pH levels.</li> <li>Filter cartridge is dirty.</li> <li>Damaged cartridge.</li> <li>Excessively dirty pool.</li> <li>The strainer screen is restricting the water flow.</li> </ul>	<ul style="list-style-type: none"> <li>Adjust the chlorine and pH level. Consult your local swimming pool supply stores.</li> <li>Clean or replace cartridge.</li> <li>Check the cartridge for holes. Replace if damaged.</li> <li>Operate the filter for longer periods.</li> <li>Clean the strainer screen at the inlet.</li> </ul>
FILTER DOESN'T PUMP WATER OR THE WATER FLOW IS VERY SLOW	<ul style="list-style-type: none"> <li>Clogged inlet or discharge.</li> <li>An air leak on the intake line.</li> <li>Scale or buildup on cartridge.</li> <li>Excessively dirty pool.</li> <li>Dirty filter cartridge.</li> <li>The nozzle and strainer connection are reversed.</li> <li>Inlet threaded air connector connected to the wrong hole on the liner.</li> </ul>	<ul style="list-style-type: none"> <li>Clear any obstructions in the intake hose by discharging it inside pool wall.</li> <li>Tighten hose nuts, check hoses for damage, check pool water level.</li> <li>Replace cartridge.</li> <li>Clean cartridge more often.</li> <li>Clean inside the plunger valve.</li> <li>Pull valve handle to full upright position.</li> <li>Install the nozzle at the upper position of the pool inlet, and the strainer at the lower position of the pool outlet.</li> <li>Make sure the inlet threaded air connector is connected to the pool inlet upper hole.</li> </ul>
PUMP DOESN'T WORK	<ul style="list-style-type: none"> <li>Low water level.</li> <li>Strainer screen plugged up.</li> <li>An air leak on the intake hose.</li> <li>Faulty motor or the impeller is jammed.</li> <li>An air lock inside the cartridge chamber.</li> </ul>	<ul style="list-style-type: none"> <li>Fill pool to correct water level.</li> <li>Clean strainer screens at pool inlet.</li> <li>Tighten hose nuts, check hose for damage.</li> <li>Clear any sticks or leaves in the intake hose.</li> <li>Turn and pull valve handle to full upright position.</li> </ul>
TOP COVER LEAKING	<ul style="list-style-type: none"> <li>O-ring missing.</li> <li>Cover or air release valve are not tight.</li> </ul>	<ul style="list-style-type: none"> <li>Remove cover &amp; check for O-ring.</li> <li>Tighten cover or valve (Manually).</li> </ul>
HOSE LEAKING	<ul style="list-style-type: none"> <li>Hose nuts are not well-fitted.</li> <li>Hose o-ring dislodged when connecting the hose.</li> <li>Hose broken.</li> </ul>	<ul style="list-style-type: none"> <li>Tighten or reinstall hose nut.</li> <li>Put the o-ring back into the groove.</li> <li>Replace a new hose.</li> </ul>
AIR LOCK	<ul style="list-style-type: none"> <li>There's air trapped in the pump housing and inlet hose.</li> <li>The inlet and outlet hoses connection are reversed.</li> </ul>	<ul style="list-style-type: none"> <li>Open air release valve, wait until water starts to flow out of the valves, then close it.</li> <li>The lower position of pool outlet connects to filter pump water inlet. The upper position of pool inlet connects to filter pump water outlet.</li> </ul>
INLET TREADED AIR CONNECTOR / AIR JET VALVE LEAKING	<ul style="list-style-type: none"> <li>Plunger valve not well-fitted.</li> <li>Air jet valve is not tight and facing up.</li> <li>Air jet valve internal seal blocked.</li> <li>Air jet valve internal seal dirty.</li> <li>Air jet valve broken.</li> </ul>	<ul style="list-style-type: none"> <li>Tighten or reinstall plunger valve.</li> <li>Tighten air jet valve and make sure it's facing up.</li> <li>Turn pump ON and run for few seconds, then turn OFF, repeat 3 times.</li> <li>Remove air jet valve, flush dirt out with water and replace valve back.</li> <li>Replace a new air jet valve.</li> </ul>
SMALL LEAK FROM AIR JET VALVE WHEN PUMP IS ON	<ul style="list-style-type: none"> <li>Accessories attached to the water circulation line.</li> </ul>	<ul style="list-style-type: none"> <li>Remove all the accessories (such as solar mat, auto pool cleaner, LED light) from the water circulation line and place the air jet valve cap (20) over the air jet valve (18). Do not cover the air jet valve (18) with the valve cap (20) under normal situation or when the pump is operating.</li> </ul>

## TROUBLESHOOTING GUIDE (continued)

TROUBLE	CAUSE	SOLUTION
Fog or moisture inside the filter gauge window	<ul style="list-style-type: none"> <li>Condensation due to ambient temperature variation and high humidity level.</li> </ul>	<ul style="list-style-type: none"> <li>This is normal.</li> </ul>
Filter cartridge is dirty, but the indicator is in the green zone	<ul style="list-style-type: none"> <li>Plunger valves are not open or fully open.</li> <li>Filter cartridge not correctly installed inside the filter housing.</li> <li>Incorrect filter cartridge specification.</li> <li>Filter cartridge is broken and leaking.</li> <li>Accessories attached to the water filtration system line.</li> <li>Hoses are twisted, kinked or tangled.</li> <li>The filter gauge is broken.</li> </ul>	<ul style="list-style-type: none"> <li>Make sure all the plunger valves are fully open.</li> <li>Make sure the cartridge is installed correctly inside the filter housing and the housing cover is securely closed.</li> <li>Replace with INTEX filter cartridge.</li> <li>Replace the filter cartridge with a new one.</li> <li>Remove any accessories (skimmer, lights, water sprayer, auto cleaner, heater, sanitation, vacuum device, etc) from the filtration inlet and outlet line.</li> <li>Make sure all the hoses are fully extended.</li> <li>Replace a new filter gauge.</li> </ul>
After cleaning the cartridge, the indicator is still in the yellow zone	<ul style="list-style-type: none"> <li>Filter cartridge is not completely clean.</li> <li>Filter cartridge cannot be cleaned.</li> <li>The filter gauge is broken.</li> </ul>	<ul style="list-style-type: none"> <li>Soak and clean the cartridge thoroughly again. Use a brush to clean between the pleats.</li> <li>Replace with a new filter cartridge.</li> <li>Replace a new filter gauge.</li> </ul>
Filter cartridge seems clean, but the indicator in the red zone	<ul style="list-style-type: none"> <li>There may be algae clogged inside the filter cartridge.</li> <li>The filter gauge is broken.</li> </ul>	<ul style="list-style-type: none"> <li>Soak and clean the cartridge thoroughly. If it's still in the red zone, replace with a new filter cartridge.</li> <li>Replace a new filter gauge.</li> </ul>

## COMMON POOL PROBLEMS

PROBLEM	DESCRIPTION	CAUSE	SOLUTION
ALGAE	<ul style="list-style-type: none"> <li>Greenish water.</li> <li>Green or black spots on pool liner.</li> <li>Pool liner is slippery and/or has a bad odor.</li> </ul>	<ul style="list-style-type: none"> <li>Chlorine and pH levels need adjustment.</li> </ul>	<ul style="list-style-type: none"> <li>Super chlorinate with shock treatment. Correct pH to your pool store's recommended level.</li> <li>Vacuum pool bottom.</li> <li>Maintain proper chlorine level.</li> </ul>
COLORED WATER	<ul style="list-style-type: none"> <li>Water turns blue, brown, or black when first treated with chlorine.</li> </ul>	<ul style="list-style-type: none"> <li>Copper, iron or manganese in water being oxidized by the added chlorine. This is Common.</li> </ul>	<ul style="list-style-type: none"> <li>Adjust pH level to the recommended level.</li> <li>Run filter until water is clear.</li> <li>Clean cartridge frequently.</li> </ul>
FLOATING MATTER IN WATER	<ul style="list-style-type: none"> <li>Water is cloudy or milky.</li> </ul>	<ul style="list-style-type: none"> <li>"Hard water" caused by a too high pH level.</li> <li>Chlorine content is low.</li> <li>Foreign matter in water.</li> </ul>	<ul style="list-style-type: none"> <li>Correct the pH level. Check with your pool dealer for advice.</li> <li>Adjust the chlorine level.</li> <li>Clean or replace your filter.</li> </ul>
CHRONIC LOW WATER LEVEL	<ul style="list-style-type: none"> <li>Level is lower than on previous day.</li> </ul>	<ul style="list-style-type: none"> <li>Rip or hole in pool liner or hoses.</li> <li>The drain valves are loose.</li> </ul>	<ul style="list-style-type: none"> <li>Repair with a patch kit.</li> <li>Finger tighten all caps.</li> </ul>
SEDIMENT ON POOL BOTTOM	<ul style="list-style-type: none"> <li>Dirt or sand on pool floor.</li> </ul>	<ul style="list-style-type: none"> <li>Heavy use, getting in and out of pool.</li> </ul>	<ul style="list-style-type: none"> <li>Use Intex pool vacuum to clean bottom of pool.</li> </ul>
SURFACE DEBRIS	<ul style="list-style-type: none"> <li>Leaves, insects etc.</li> </ul>	<ul style="list-style-type: none"> <li>Pool too close to trees.</li> </ul>	<ul style="list-style-type: none"> <li>Use Intex pool skimmer.</li> </ul>

## IMPORTANT

If you continue to experience difficulty, please contact our Consumer Service Department for assistance. See separate "Authorized Service Centers" sheet.

## GENERAL AQUATIC SAFETY

**Water recreation is both fun and therapeutic. However, it involves inherent risks of injury and death. To reduce your risk of injury, read and follow all product, package and package insert warnings and instructions. Remember, however, that product warnings, instructions and safety guidelines cover some common risks of water recreation, but do not cover all risks and or dangers.**

**For additional safeguards, also familiarize yourself with the following general guidelines as well as guidelines provided by nationally recognized Safety Organizations:**

- Demand constant supervision. A competent adult should be appointed as a "lifeguard" or water watcher, especially when children are in and around the pool.
- Learn to swim.
- Take the time to learn CPR and first aid.
- Instruct anyone who is supervising pool users about potential pool hazards and about the use of protective devices such as locked doors, barriers, etc.
- Instruct all pool users, including children what to do in case of an emergency.
- Always use common sense and good judgement when enjoying any water activity.
- Supervise, supervise, supervise.



## LIMITED WARRANTY

Your Krystal Clear™ Filter Pump has been manufactured using the highest quality materials and workmanship. All Intex products have been inspected and found free of defects prior to leaving the factory. This limited warranty applies only to the Krystal Clear™ Filter Pump and accessories listed below.

This limited warranty is in addition to, and not a substitute for, your legal rights and remedies. To the extent that this warranty is inconsistent with any of your legal rights, they take priority. For example, consumer laws across the European Union provide statutory warranty rights in addition to the coverage you receive from this limited warranty: for information on EU-wide consumer laws, please visit the European Consumer Center website at [http://ec.europa.eu/consumers/ecc/contact\\_en/htm](http://ec.europa.eu/consumers/ecc/contact_en/htm).

The provisions of this limited warranty apply only to the original purchaser and are not transferable. This limited warranty is valid for the period noted below from the date of the initial retail purchase. Keep your original sales receipt with this document, as proof of purchase will be required and must accompany warranty claims or the Limited Warranty is invalid.

Krystal Clear™ Filter Pump Warranty – 2 Years  
Hoses, Plunger Valves & Fittings Warranty – 180 days

If you find a manufacturing defect in the Krystal Clear™ Filter Pump during the warranty periods noted above, please contact the appropriate Intex Service Center listed in the separate “Authorized Service Centers” sheet. If the item is returned as directed by the Intex Service Center, the Service Center will inspect the item and determine the validity of the claim. If the item is covered by the provisions of the warranty, the item will be repaired or replaced, with the same or comparable item (at Intex’s choice) at no charge to you.

Other than this warranty, and other legal rights in your country, no further warranties are implied. To the extent possibly in your country, in no event shall Intex be liable to you or any third party for direct or consequential damages arising out of the use of your Krystal Clear™ Filter Pump, or Intex or its agents’ and employees’ actions (including the manufacture of the product). If your country does not allow the exclusion or limitation of incidental or consequential damages, this limitation or exclusion does not apply to you.

You should note that this limited warranty does not apply in the following circumstances:

- If the Krystal Clear™ Filter Pump is subject to negligence, abnormal use or application, accident, improper operation, improper voltage or current contrary to operating instructions, improper maintenance or storage;
- If the Krystal Clear™ Filter Pump is subject to damage by circumstances beyond Intex’s control, including but not limited to, ordinary wear and tear and damage caused by exposure to fire, flood, freezing, rain, or other external environmental forces;
- To parts and components not sold by Intex; and/or
- To unauthorized alterations, repairs or disassembly to the Krystal Clear™ Filter Pump by anyone other than Intex Service Center personnel.

The costs associated with the loss of pool water, chemicals or water damage are not covered by this warranty. Injury or damage to any property or person is not covered by this warranty.

Read the owner’s manual carefully and follow all instructions regarding proper operation and maintenance of your Krystal Clear™ Filter Pump. Always inspect your product prior to use. This limited warranty will be void if use instructions are not followed.