

INTEX® OWNER'S MANUAL

POOL CANOPY

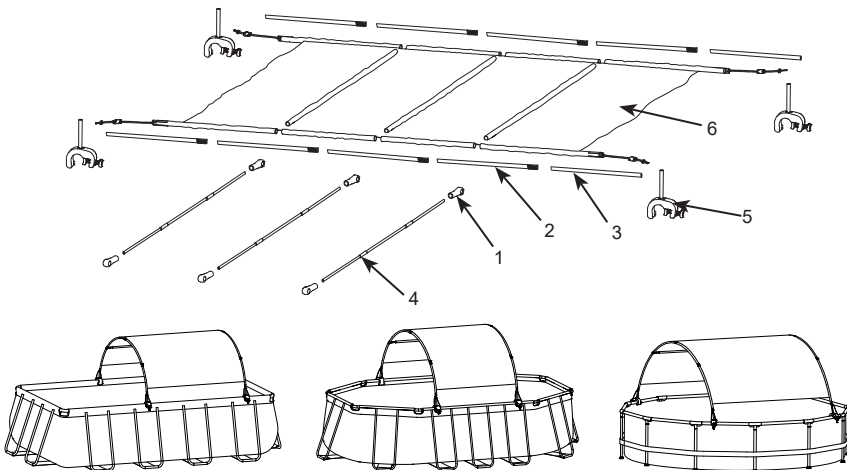
READ AND FOLLOW ALL INSTRUCTIONS BEFORE USING THIS PRODUCT

⚠ WARNING

- Assemble and disassemble by adults only from outside of the pool. Never attempt to remove the canopy while in the pool.
- Remove canopy and store properly when not in use or in the presence of strong winds, thunderstorms, heavy rain or snow.
- Never place items on top of canopy or exert excessive force onto the frame when in use.
- Always closely supervise children who are in or near the pool at all times.
- Check that all canopy connections are secure prior to entering the pool.
- This product is intended to be used only for the purposes described in the manual.

FAILURE TO FOLLOW THESE WARNINGS AND THE ASSEMBLY AND USE INSTRUCTIONS MAY RESULT IN SERIOUS INJURY, DROWNING OR PROPERTY DAMAGE.

Parts Reference



NOTE: Drawings for illustration purpose only. May not reflect actual product. Not to scale.

REF. NO.	DESCRIPTION	QTY.	SPARE PART NO.
1	Fiber glass rod joint	6	12964
2	Fiber glass rod A-1	8	13159
3	Fiber glass rod A-2	2	13160
4	Fiber glass rod B	3	12963B
5	Mounting clamp	4	12961
6	Canopy	1	12962

SAVE THESE INSTRUCTIONS

General

- Choose where you want to install the canopy. It's recommended to setup the canopy on the west side of the pool in order to block more of the afternoon sun.
- No tools are required for the assembly. **Two people are needed to setup this product.**
- Make sure the pool is setup and filled with water first.
- Never attempt to setup this product during strong winds, thunderstorms, heavy rain or snow.

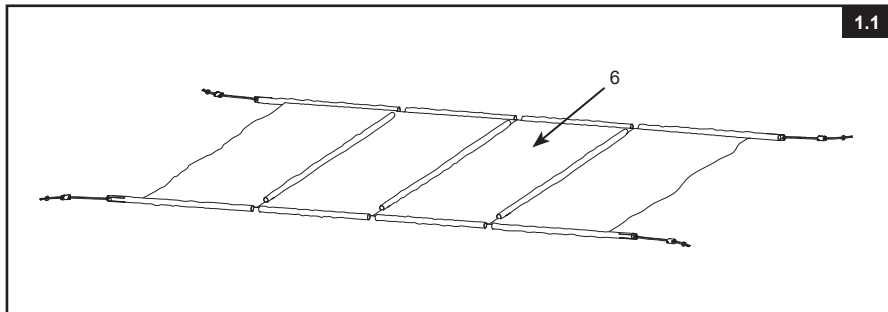
176
IO

This canopy is designed and manufactured for Intex pool sizes:

POOL	POOL SIZE
METAL FRAME POOL	10'×30" (3.05m×76cm)
	12'×30" (3.66m×76cm)
	12'×33" (3.66m×84cm)
PRISM FRAME™ PREMIUM POOL	10'×30" (3.05m×76cm)
	12'×30" (3.66m×76cm)
	12'×39" (3.66m×99cm)
	12'×48" (3.66m×1.22m)
PRISM FRAME™ RECTANGULAR PREMIUM POOL	13'1/2"×6'6 ³ / ₄ "×39 ¹ / ₂ " (4.00m×2.00m×1.00m)
	13'1/2"×6'6 ³ / ₄ "×48" (4.00m×2.00m×1.22m)
	16'×8'×42" (4.88m×2.44m×1.07m)
PRISM FRAME™ OVAL PREMIUM POOL	13'1/2"×6'6 ³ / ₄ "×39 ¹ / ₂ " (4.00m×2.00m×1.00m)
	16.6'×9'×48" (5.03m×2.74m×1.22m)
	20'×10'×48" (6.10m×3.05m×1.22m)
ULTRA XTR™ RECTANGULAR FRAME POOL	18'×9'×52" (5.49m×2.74m×1.32m)
	24'×12'×52" (7.32m×3.66m×1.32m)

Setup instructions

- 1) Spread out the canopy (6) with the sleeves facing up.

**SAVE THESE INSTRUCTIONS**

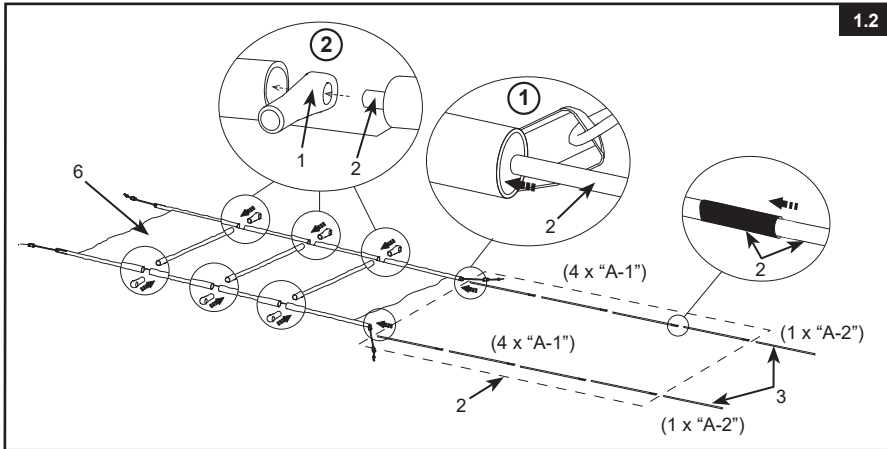
Page 2

- 2) Starting from one side at a time, place a fiber glass rod joint (1) in each opening between the sleeves along the side.
- 3) Insert one "A-1" rod with the end without the metal coupling into the canopy sleeve first. The end of the rod with the metal coupling shall be facing you.
- 4) Continue inserting 3 more "A-1" rods through the canopy sleeve making sure the "A-1" rods are inserted into the metal coupling and through the fiber glass rod joint (1).
- 5) Slide one "A-2" rod into the sleeve making sure it's inserted into the last "A-1" rod metal coupling.

176
IO

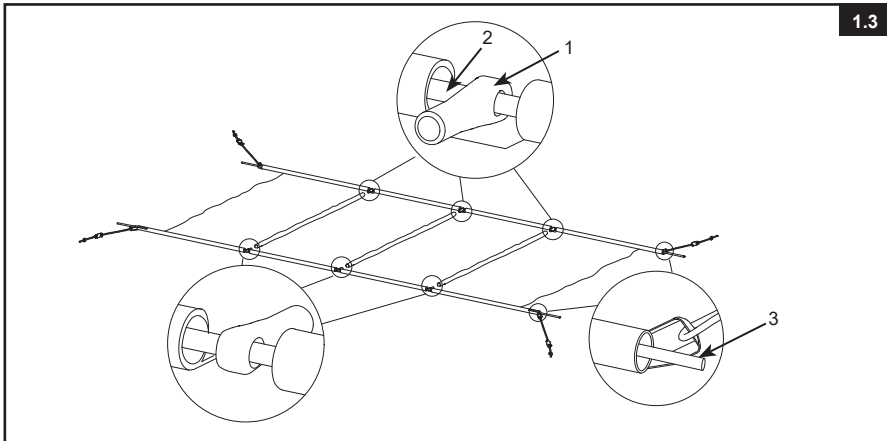
Note: Each side shall have 4 "A-1" rods and one "A-2" rod, and the rods shall be inserted through all the fiber glass rod joints (1).

- 6) Repeat above steps 2 to 5 with the other side of the canopy sleeves.



1.2

- 7) Make sure the rods are inserted through all the fiber glass rod joints (1).



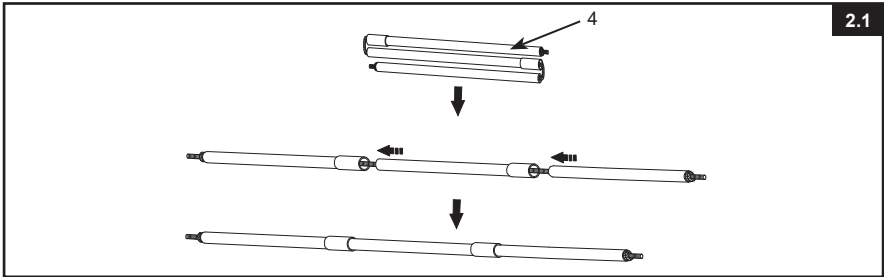
1.3

SAVE THESE INSTRUCTIONS

8) Unfold and assemble the "B" rods together.

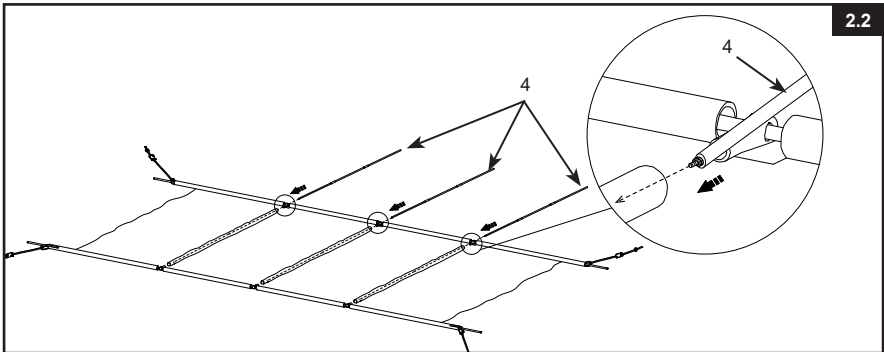
176
IO

2.1



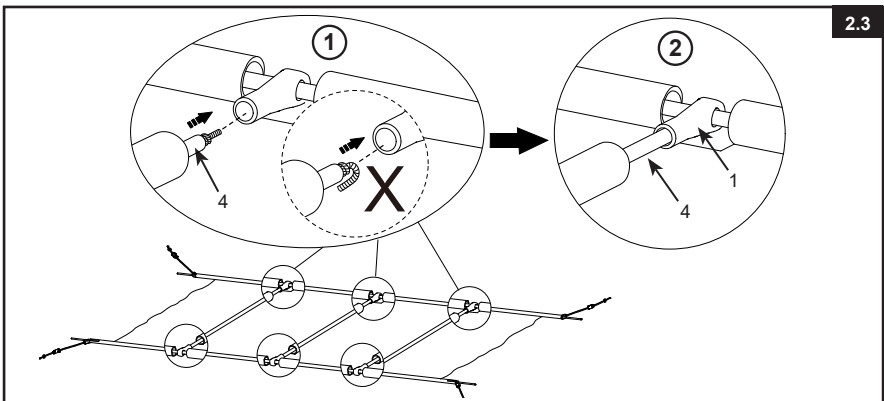
9) Slide the "B" rods through the short sleeves on the canopy and make sure the end of the "B" rod is inserted into the respective fiber glass rod joint (1).

2.2



10) Insert the other end of the "B" rod into the fiber glass rod joint (1).

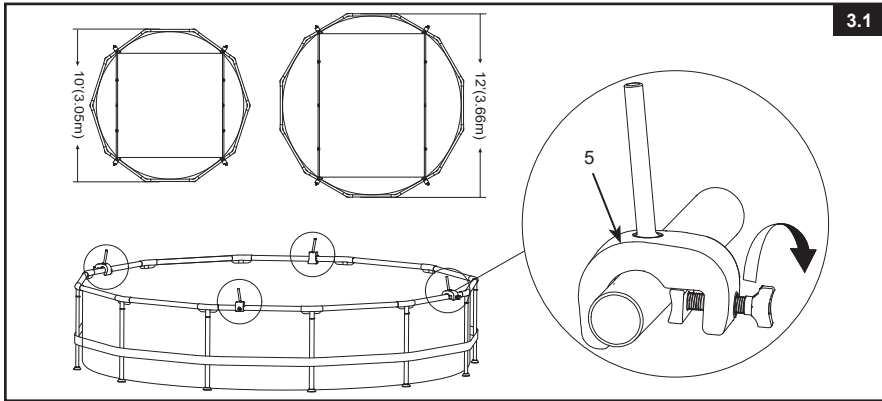
2.3



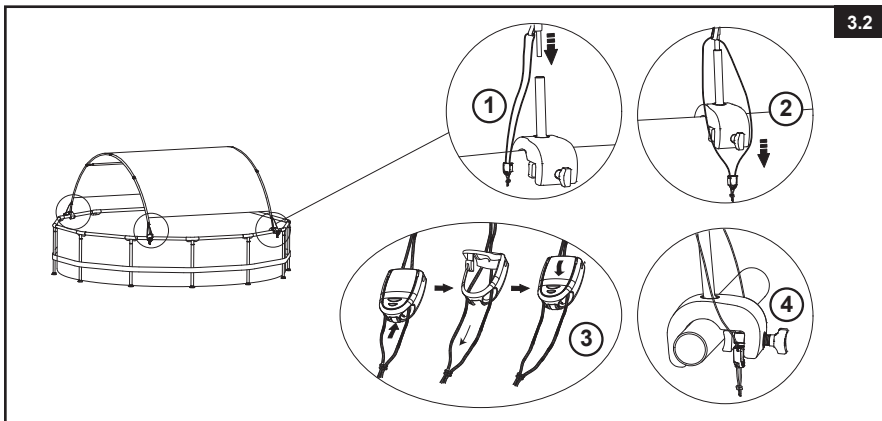
SAVE THESE INSTRUCTIONS

- 11) According to the size of your round metal frame pool, attach the mounting clamps (5) over the horizontal beams of the pool per diagram. Hand tighten the clamps thumb screws.

176
IO



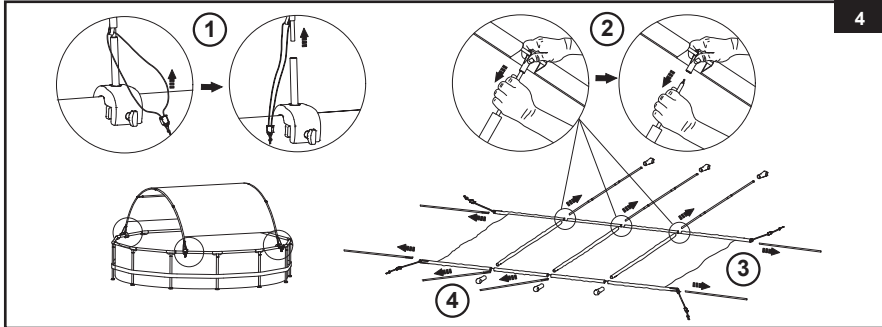
- 12) Two people are needed to install the assembled canopy onto the mounting clamps. With one person holding each end of the canopy rods, insert one side of the canopy rods into the mounting clamps (5) first, then insert the other end of the canopy rods into the mounting clamps (5). Move the mounting clamps position if needed.
- 13) Hook the canopy rope under the mounting clamp (5) and tighten the rope securely with the rope buckles.



SAVE THESE INSTRUCTIONS

Maintenance and long term storage

1. Regularly check all components for sign of damage and straining. Replace damaged components immediately.
2. Two people are needed for disassembly. Remove the canopy assembly from the frame pool. **CAUTION:** When disassembling, hold the rod firmly when disconnecting the rod from the mounting clamp in order to prevent face or bodily injury.
3. Use a sponge and clean water to wipe away any soil or stains on the canopy.
4. Reverse the above setup instructions (see Fig. 4), and make sure all components are completely dry before storage.



5. Store the canopy and accessories in a dry, temperature controlled, between 0° – 40°C (32° – 104°F), storage location.
6. The original packing can be used for storage.

©2023 Intex Marketing Ltd. - Intex Development Co. Ltd. - Intex Recreation Corp. All rights reserved/Tous droits réservés/Todos los derechos reservados/Alle Rechte vorbehalten. Printed in China/Imprimé en Chine/Impresso en China/Gedruckt in China.
 ®™ Trademarks used in some countries of the world under license from®™ Marques utilisées dans certains pays sous licence de/Marcas registradas utilizadas en algunos países del mundo bajo licencia de/Warenzeichen verwendet in einigen Ländern der Welt in Lizenz von/
 Intex Marketing Ltd. to/à/a/an Intex Development Co. Ltd., Hong Kong & Intex Recreation Corp., P.O. Box 1440, Long Beach, CA 90801 • Distributed in the European Union by/Distribué dans l'Union Européenne par/Distribuido en la Unión Europea por/Vertrieb in der Europäischen Union durch/Intex Trading B.V., Eitenseweg 46, 4706 PB Roosendaal – The Netherlands • Distributed in the UK by Uniflex Service (UK) Limited, 21 Holborn Viaduct, London EC1A 2DY, UK.
 www.intexcorp.com

INTEX®**SAVE THESE INSTRUCTIONS**

Page 6